

Static anti-windup compensator based on BMI optimisation for discrete-time systems with directional change in controls avoidance

 D. HORLA^{1*}
¹ Poznan University of Technology, Faculty of Automation, Robotics and Electrical Engineering, ul. Piotrowo 3a, 60-965 Poznan, POLAND

Abstract. In the paper, a design method of a static anti-windup compensator for systems with input saturations is proposed. First, an anti-windup controller is presented for system with cut-off saturations, and, secondly, the design problem of the compensator is presented to be a non-convex optimization problem easily solved using bilinear matrix inequalities formulation. This approach guarantees stability of the closed-loop system against saturation nonlinearities and optimizes the robust control performance while the saturation is active.

Key words: anti-windup compensation, bilinear matrix inequalities, cut-off constraint, no directional change in controls

1. Introduction

In this paper, we explore directional change phenomenon from the viewpoint of compensation of negative effects of control vector saturation. This approach is crucial for maintaining the stability and performance of discrete-time control systems under saturation conditions with directional change in controls avoidance. The paper extends the bilinear matrix inequality (BMI) formulation presented in paper [1] which has been the first stage in this research, to a more demanding control scenario. Static compensation is a research topic still currently developed, such as in [2] for nonlinear systems, satisfying Lipschitz conditions, [3] for nonlinear time-delayed systems, or [4] for time-delayed systems.

One can list a number of strategies present to avoid changes in direction of a control vector, such as vector control techniques to drive inverters and motor drives, to fit the requirement of precise control of voltage, current and flux space vectors by avoiding direction changes in a control vector [5].

The other might be a switched control strategy to incorporate control constraints to preserve the initial control direction and, at the same time, to prevent the state vector to leave the domain of control authority, to keep the system both stable and work under constraints [6].

In electrical machines, especially in induction motors, there is a space vector modulation algorithms to keep the direction of a control vector unaltered by flux or torque ripple reduction, due to varying switching frequency [7].

It is not only the case of stability as the problem, but also it is related to dynamic decoupling problem, tackled out in, e.g. [8, 9], where the preservation of direction of a control vector is bound with coupling its components to suit certain aim.

The problem of decoupling becomes even more impeding if nonlinear multiple-input multiple-output plants are considered, see [10] with uncertainty taken into account. The approach presented in the current paper can also be extended to uncertainty-related case by adding a polytopic uncertainty information, to present the conditions by a set of BMIs for the polytopic information [11, 12, 13].

Recent research of the author of the paper, see the D.Sc. monograph [14] or [15], or the research of the other authors, [16, 17, 18], provide some detailed information on control quality improvement with simultaneous anti-windup compensation scheme, also for the case when directional change is to be avoided. However, there was a gap in the current literature concerning extension of this research to discrete-time models, leading to an optimization-based way to obtain optimal static anti-windup compensator. The optimisation problems presented in the paper concern all minimisation task of a linear function subject to BMI constraints [17, 19]. These problems will not be solvable using linear matrix inequality approach, and require other software, such as PENBMI (PENOPT suite) [19], TOMLAB-PENBMI or other. The basic formulation of the problem is coded down in Yalmip [20, 21, 22].

The results reported at the previous stage of the research [1], present design of static compensators for discrete-time models with cut-off constraints, whereas the results for no directional change in controls are presented in this paper. It is a first try to formalise the conditions, by introducing a scaling factor to the conditions, to lead to an off-line calculation of the mapping between the saturation level (expressed by the scaling factor) versus compensator feedback matrix. The major contribution of the paper, is not only the introduction of a scaling factor, but also deriving the BMI conditions.

2. Directional change in controls

2.1. Introduction The directional change in controls issue can be easily depicted for a system with two control inputs, each with a prescribed cut-off level. As it can be observed in Fig. 1 the calculated control vector \underline{v}_t has a different direction than the constrained control vector \underline{u}_t [15].

A change in control vector direction should not be connected to coupling avoidance task only, but rather in maintaining the information stored in the original, i.e., calculated control vector, to preserve balance between separate control inputs, what could be met in various robotics-correlated problems. The directional change problem can be avoided/minimized by the use of a posteriori anti-windup compensators, or a priori ones, see the description in [15].

*e-mail: dariusz.horla@put.poznan.pl

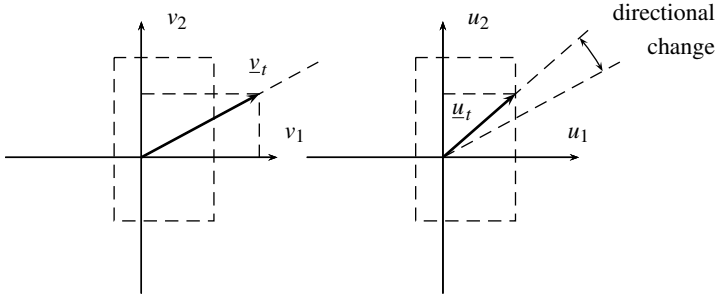


Fig. 1. Directional change issue

2.2. Optimization problem formulation of directional change

A task of taking constraints into account, which are imposed on the calculated control vector, is connected with solving the optimization problem by the direction-preserving (DP) algorithm. Let the constraints be given by affine functions in the form

$$H\underline{u}_t \leq \underline{\alpha} \quad (1)$$

One needs to seek for the vector \underline{u}_t which is as close as possible (in the sense of some norm) to \underline{v}_t , what in turn having introduced a weighting matrix $Q_{DP} > 0$ can be stated as

$$\begin{aligned} \min_{\underline{u}_t} \quad & (\underline{u}_t - \underline{v}_t)^T Q_{DP}^{-1} (\underline{u}_t - \underline{v}_t) \\ \text{s.t.} \quad & H\underline{u}_t \leq \underline{\alpha}, \\ & \underline{u}_t \text{ of the same direction as } \underline{v}_t. \end{aligned} \quad (2)$$

As an example, let us consider the case with $m = 2$ control inputs and constraints in the form $-\alpha \leq u_{1,t} \leq \alpha$, $-\alpha \leq u_{2,t} \leq \alpha$. On the basis of (1) one gets:

$$H = \begin{bmatrix} 1 & 0 \\ 0 & 1 \\ -1 & 0 \\ 0 & -1 \end{bmatrix}, \quad \underline{\alpha} = \begin{bmatrix} \alpha \\ \alpha \\ \alpha \\ \alpha \end{bmatrix}.$$

The problem (2) can be transformed to finding a scalar multiplier γ which enters as a product into \underline{v}_t to satisfy the requirements (1), thus:

$$\begin{aligned} \min_{\gamma} \quad & (\underline{u}_t - \underline{v}_t)^T Q_{DP}^{-1} (\underline{u}_t - \underline{v}_t) \\ \text{s.t.} \quad & H\underline{u}_t \leq \underline{\alpha}, \\ & \underline{u}_t = \gamma \underline{v}_t, \end{aligned} \quad (3)$$

what simplifies to the form

$$\begin{aligned} \min_{\gamma} \quad & (\gamma - 1)^2 \underline{v}_t^T Q_{DP}^{-1} \underline{v}_t \\ \text{s.t.} \quad & \gamma H \underline{v}_t \leq \underline{\alpha}, \end{aligned} \quad (4)$$

The problem (4) is convex (minimisation of a convex function over a convex set). As can be seen, when no constraints are active, one gets $\gamma^* = 1$ as the optimal solution. Otherwise $0 \leq \gamma^* < 1$ (the calculated control vector gets contracted).

Usually the matrix H is not of full rank, and the problem cannot be solved analytically via a Lagrange dual problem, as per its connection with the inversion of a matrix $X^T H^T Y H X$ (where the introduced matrices are of appropriate dimensions), and the other solution methods must apply, such as KKT condition-based.

First, it can be assumed that the constraints from (4) can be presented in a compact form as a set of n_{const} inequalities

$$\gamma H_{\text{const}} \underline{v}_t \leq \underline{b},$$

where n_{const} is the smallest number of constraints describing the feasible set and:

$$H_{\text{const}} \underline{v}_t = \begin{bmatrix} h_1 \\ h_2 \\ \vdots \\ h_{n_{\text{const}}} \end{bmatrix}, \quad \underline{b} = \begin{bmatrix} b_1 \\ b_2 \\ \vdots \\ b_{n_{\text{const}}} \end{bmatrix}.$$

It is important to verify what value of γ makes all constraints inactive only in the case whenever $b_i \leq h_i$ ($1 \leq i \leq n_{\text{const}}$), where

$$\gamma = \min \left(\min_{\substack{b_i < h_i \\ 1 \leq i \leq n_{\text{const}}}} \frac{b_i}{h_i}, 1 \right)$$

corresponds to the multiplier γ , which should be used to multiply the calculated control vector \underline{v}_t , to avoid directional change in controls (satisfying $b_i < h_i$ guaranteed the inactive and equality conditions are eliminated). As a summary one can formulate the complete DP algorithms in which the inner min function defines the minimal ratio (provided it exists), and the outer function – the lesser of two: $\frac{b_i}{h_i}$ and 1.

2.3. DP algorithm

- 1) for given H , \underline{v}_t and defined constraints transform (4) into

$$\begin{aligned} \min_{\gamma} \quad & (\gamma - 1)^2 \underline{v}_t^T Q_{DP}^{-1} \underline{v}_t \\ \text{s.t.} \quad & \gamma H_{\text{const}} \underline{v}_t \leq \underline{b}; \end{aligned} \quad (5)$$

- 2) evaluate the optimal multiplier of \underline{v}_t , as

$$\gamma^* = \min \left(\min_{\substack{b_i < h_i \\ 1 \leq i \leq n_{\text{const}}}} \frac{b_i}{h_i}, 1 \right); \quad (6)$$

- 3) calculate the constrained control vector

$$\underline{u}_t = \gamma^* \underline{v}_t \quad (7)$$

and use to impose constraints on the control vector.

The proposed DP algorithm can be used to any general set of constraints defined by affine functions. In the other cases one has to approximate the feasible set by a set defined by inequalities with affine functions.

$$\text{As an example, let } H = \begin{bmatrix} 1 & 0 \\ 0 & 1 \\ -1 & 0 \\ 0 & -1 \end{bmatrix}, \quad \underline{\alpha} = \begin{bmatrix} 3 \\ 2 \\ 4 \\ 4 \end{bmatrix}, \quad \underline{v}_t =$$

$\begin{bmatrix} 4 \\ 3 \end{bmatrix}$ be given. As can be seen, the first two constraints are active, and:

$$H_{\text{const}} = \begin{bmatrix} 1 & 0 \\ 0 & 1 \end{bmatrix}, \quad H_{\text{const}} \underline{v}_t = \begin{bmatrix} 4 \\ 3 \end{bmatrix}, \quad \underline{b} = \begin{bmatrix} 3 \\ 2 \end{bmatrix},$$

with

$$\min_{\substack{b_i < h_i \\ 1 \leq i \leq n_{\text{const}}}} \frac{b_i}{h_i} = \min \left(\frac{3}{4}, \frac{2}{3} \right) = \frac{2}{3},$$

resulting in $\gamma^* = \min \left(\frac{2}{3}, 1 \right) = \frac{2}{3}$ and $\underline{u}_t = \left[\frac{8}{3}, 2 \right]^T$ satisfies the constraints and is of the same direction as \underline{v}_t (see Fig. 2).

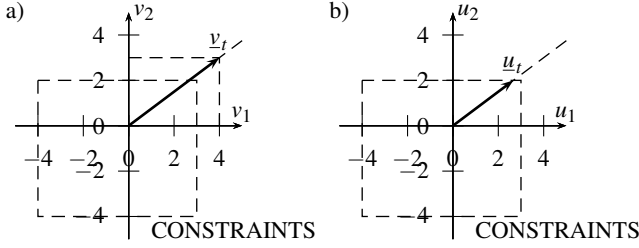


Fig. 2. Control vector: a) calculated, b) DP-constrained

3. Discrete-time model of the control system

The plant is modeled by a set of difference equations

$$\underline{x}_{\mathcal{P},t+1} = A_{\mathcal{P}} \underline{x}_{\mathcal{P},t} + B_{\mathcal{P}} \underline{u}_t, \quad (8)$$

$$\underline{y}_t = C_{\mathcal{P}} \underline{x}_{\mathcal{P},t} + D_{\mathcal{P}} \underline{u}_t, \quad (9)$$

with the matrices $A_{\mathcal{P}} \in R^{n \times n}$, $B_{\mathcal{P}} \in R^{n \times m}$, $C_{\mathcal{P}} \in R^{p \times n}$, $D_{\mathcal{P}} \in R^{p \times m}$, whereas the controller is described as

$$\underline{x}_{c,t+1} = A_c \underline{x}_{c,t} + B_c \underline{e}_t + \underline{\xi}_t, \quad (10)$$

$$\underline{v}_t = C_c \underline{x}_{c,t} + D_c \underline{e}_t, \quad (11)$$

with $A_c \in R^{n_c \times n_c}$, $B_c \in R^{n_c \times p}$, $C_c \in R^{m \times n_c}$, $D_c \in R^{m \times p}$. The static anti-windup compensation action is carried out by calculation of the $\underline{\xi}$ to alter interior states of the controller (n_c states). The general block diagram is the same as in [1] and has been omitted here for the sake of brevity.

The state-space vector of the model of the plant has n components, $\underline{x}_{\mathcal{P}} \in R^n$, whereas the output vector (to track the reference vector $\underline{r} \in R^p$) has p elements as well, $\underline{y} \in R^p$, and finally control vectors have m components, namely $\underline{u}, \underline{v} \in R^m$. As has already been stated the full-state anti-windup compensator modifies n_c states of the controller, i.e. $\underline{\xi} \in R^{n_c}$.

A special version of a cut-off saturation is considered, related to DP the algorithm, which for the amplitude-constrained can be presented as a result of the operation $\gamma \underline{v}_t$, where $\gamma \leq 1$ corresponds to the saturation level of all the components of the calculated control vector.

As in [1], the compensator modifies controller states via $\underline{\xi}$,

$$\underline{\xi} = \Lambda \underline{\eta} = \Lambda (\underline{u} - \underline{v}). \quad (12)$$

Taking (8)–(11) into account, and introducing q operator, the state-space description in a linear-fractional form is given by [16]

$$\begin{aligned} q\underline{x} &= \begin{bmatrix} q\underline{x}_{\mathcal{P}} \\ q\underline{x}_c \end{bmatrix} = \begin{bmatrix} A_{\mathcal{P}} \underline{x}_{\mathcal{P}} + B_{\mathcal{P}} \underline{u} \\ A_c \underline{x}_c + B_c (\underline{w} - \underline{y}) + \underline{\xi} \end{bmatrix} = \\ &= \begin{bmatrix} A_{\mathcal{P}} \underline{x}_{\mathcal{P}} + B_{\mathcal{P}} \underline{u} \\ A_c \underline{x}_c + B_c \underline{w} - B_c (C_{\mathcal{P}} \underline{x}_{\mathcal{P}} + D_{\mathcal{P}} \underline{u}) + \underline{\xi} \end{bmatrix} = \end{aligned}$$

$$= \mathcal{A} \underline{x} + \mathcal{B}_u \underline{u} + \mathcal{B}_w \underline{w} + \mathcal{B}_{\xi} \underline{\xi}, \quad (13)$$

where $\underline{w} = \underline{r}$, $\underline{z} = \underline{e}$ and:

$$\mathcal{A} = \begin{bmatrix} A_{\mathcal{P}} & 0^{n \times n_c} \\ -B_c C_{\mathcal{P}} & A_c \end{bmatrix}, \quad (14)$$

$$\mathcal{B}_u = \begin{bmatrix} B_{\mathcal{P}} \\ -B_c D_{\mathcal{P}} \end{bmatrix}, \quad (15)$$

$$\mathcal{B}_w = \begin{bmatrix} 0^{n \times p} \\ B_c \end{bmatrix}, \quad (16)$$

$$\mathcal{B}_{\xi} = \begin{bmatrix} 0^{n \times n_c} \\ I^{n_c \times n_c} \end{bmatrix}. \quad (17)$$

Following [12, 17], like in [1] one can write

$$\begin{aligned} \underline{v} &= C_c \underline{x}_c + D_c \underline{e} = C_c \underline{x}_c + D_c (\underline{w} - \underline{y}) = \\ &= \mathcal{C}_v \underline{x} + \mathcal{D}_{vu} \underline{u} + \mathcal{D}_{vw} \underline{w} + \mathcal{D}_{v\xi} \underline{\xi}, \end{aligned} \quad (18)$$

where:

$$\mathcal{C}_v = [-D_c C_{\mathcal{P}}, C_c], \quad \mathcal{D}_{vu} = -D_c D_{\mathcal{P}}, \quad (19)$$

$$\mathcal{D}_{vw} = D_c, \quad \mathcal{D}_{v\xi} = 0^{m \times n_c}. \quad (20)$$

The output vector of a linear-fractional transformation form, from Figure 3, becomes

$$\begin{aligned} \underline{z} &= \underline{e} = \underline{w} - \underline{y} = \underline{w} - C_{\mathcal{P}} \underline{x}_{\mathcal{P}} - D_{\mathcal{P}} \underline{u} = \\ &= \mathcal{C}_z \underline{x} + \mathcal{D}_{zu} \underline{u} + \mathcal{D}_{zw} \underline{w} + \mathcal{D}_{z\xi} \underline{\xi}, \end{aligned} \quad (21)$$

with:

$$\mathcal{C}_z = [-C_{\mathcal{P}}, 0^{p \times n_c}], \quad \mathcal{D}_{zu} = -D_{\mathcal{P}}, \quad (22)$$

$$\mathcal{D}_{zw} = I^{p \times p}, \quad \mathcal{D}_{z\xi} = 0^{p \times n_c}. \quad (23)$$

As per $\underline{\eta} = \underline{u} - \underline{v}$, and according to [1], the $\underline{\xi}$ can be removed from the linear-fractional form by introduction of

$$\underline{\xi} = -X \mathcal{C}_v \underline{x} + X (I - \mathcal{D}_{vu}) \underline{u} - X \mathcal{D}_{vw} \underline{w}, \quad (24)$$

$$X = (I^{n_c \times n_c} + \Lambda \mathcal{D}_{v\xi})^{-1} \Lambda. \quad (25)$$

Shortly, by substitution of (24) to (13), (18) and (21), one obtains:

$$D\underline{x} = A\underline{x} + B_u \underline{u} + B_w \underline{w}, \quad (26)$$

$$\underline{v} = C_v \underline{x} + D_{vu} \underline{u} + D_{vw} \underline{w}, \quad (27)$$

$$\underline{z} = C_z \underline{x} + D_{zu} \underline{u} + D_{zw} \underline{w}, \quad (28)$$

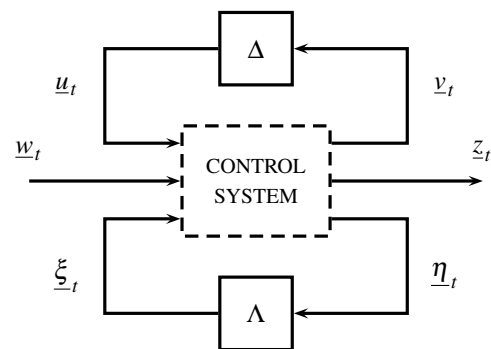


Fig. 3. Linear-fractional transformation-related description of the discrete-time model of the control system

where:

$$A = \mathcal{A} - \mathcal{B}_\xi X \mathcal{C}_v, \quad (29)$$

$$B_u = \mathcal{B}_u + \mathcal{B}_\xi X (I - \mathcal{D}_{vu}), \quad (30)$$

$$B_w = \mathcal{B}_w - \mathcal{B}_\xi X \mathcal{D}_{vw}, \quad (31)$$

$$C_v = \mathcal{C}_v - \mathcal{D}_v \xi X \mathcal{C}_v, \quad (32)$$

$$D_{vu} = \mathcal{D}_{vu} + \mathcal{D}_v \xi X (I - \mathcal{D}_{vu}), \quad (33)$$

$$D_{vw} = \mathcal{D}_{vw} - \mathcal{D}_v \xi X \mathcal{D}_{vw}, \quad (34)$$

$$C_z = \mathcal{C}_z - \mathcal{D}_z \xi X \mathcal{C}_v, \quad (35)$$

$$D_{zu} = \mathcal{D}_{zu} + \mathcal{D}_z \xi X (I - \mathcal{D}_{vu}), \quad (36)$$

$$D_{zw} = \mathcal{D}_{zw} - \mathcal{D}_z \xi X \mathcal{D}_{vw}. \quad (37)$$

When the constraints are imposed with respect to the DP algorithm, thus $\underline{u} = \gamma \underline{v}$ holds, then on the basis of (26), (27) and (28) a new description coherent with the linear-fractional transformation form – LFT – for is obtained (LTF does not change for a system with constraints):

$$\begin{aligned} D \underline{x} &= A \underline{x} + \gamma B_u \underline{v} + B_w \underline{w} = \\ &= (A + \gamma B_u C_v) \underline{x} + \gamma B_u D_{vu} \underline{u} + \\ &\quad + (\gamma B_u D_{vw} + B_w) \underline{w} = \\ &= A^Y \underline{x} + B_u^Y \underline{u} + B_w^Y \underline{w}, \end{aligned} \quad (38)$$

$$\begin{aligned} \underline{z} &= C_z \underline{x} + \gamma D_{zu} \underline{v} + D_{zw} \underline{w} = \\ &= (C_z + \gamma D_{zu} C_v) \underline{x} + \gamma D_{zu} D_{vu} \underline{u} + (\gamma D_{zu} D_{vw} + \\ &\quad + D_{zw}) \underline{w} = \\ &= C_z^Y \underline{x} + D_{zu}^Y \underline{u} + D_{zw}^Y \underline{w}, \end{aligned} \quad (39)$$

where:

$$\begin{aligned} A^Y &= A + \gamma B_u C_v, & B_u^Y &= \gamma B_u D_{vu}, \\ B_w^Y &= \gamma B_u D_{vw} + B_w, & C_z^Y &= C_z + \gamma D_{zu} C_v, \\ D_{zu}^Y &= \gamma D_{zu} D_{vu}, & D_{zw}^Y &= \gamma D_{zu} D_{vw} + D_{zw}. \end{aligned} \quad (40)$$

4. On imposing performance requirements with respect to the closed-loop system

The basic performance requirement imposed on the system is the stability property, which below, and following the derivations in [1], is cast to a matrix inequality-related form. Secondly, and in order to avoid repetitions, an induced norm helps to formulate the other constraint, eventually leading to a BMI-constrained optimization task. On the basis of the representation of a system with a DP algorithm, see (38), (39), the basic performance requirement is the mean-square stability condition, related to the existence of a Lyapunov function

$$V(\underline{x}_{t+1}) - V(\underline{x}_t) = \underline{x}_{t+1}^T P \underline{x}_{t+1} - \underline{x}_t^T P \underline{x}_t < 0, \quad (41)$$

from where

$$\begin{bmatrix} A^Y T P A^Y - P & * & * \\ B_u^{Y T} P A^Y & B_u^{Y T} P B_u^Y & * \\ B_w^{Y T} P A^Y & B_w^{Y T} P B_u^Y & B_w^{Y T} P B_w^Y \end{bmatrix} < 0, \quad (42)$$

or

$$\begin{bmatrix} -P & * & * & * \\ 0 & 0 & * & * \\ 0 & 0 & 0 & * \\ P A^Y & P B_u^Y & P B_w^Y & -P \end{bmatrix} < 0. \quad (43)$$

Table 1. Nomenclature

Symbol	Role
P	positive-definite matrix, forming Lyapunov function
Γ	$\Gamma = [\Gamma_1, \dots, \Gamma_m]$ used to incorporate $u_i^2 \leq v_i^2$ ($i = 1, \dots, m$) conditions using the S-procedure
δ	supremum estimate of the norm-induced gain mentioned below
γ	contraction ratio of the calculated control vector

The nomenclature used in this Section is briefly characterized in Table 1.

Using the S-procedure, and on the basis of (42) one obtains

$$\begin{bmatrix} A^Y T P A^Y - P + C_v^T \Gamma C_v & * & * \\ B_u^{Y T} P A^Y + D_{vu}^T \Gamma C_v & B_u^{Y T} P B_u^Y + D_{vu}^T \Gamma D_{vu} - \Gamma & * \\ B_w^{Y T} P A^Y + D_{vw}^T \Gamma C_v & B_w^{Y T} P B_u^Y + D_{vw}^T \Gamma D_{vu} & B_w^{Y T} P B_w^Y + D_{vw}^T \Gamma D_{vw} \end{bmatrix} \leq 0 \quad (44)$$

that can be transformed into

$$\begin{bmatrix} -P & * & * & * & * \\ 0 & -\Gamma & * & * & * \\ 0 & 0 & 0 & * & * \\ P A^Y & P B_u^Y & P B_w^Y & -P & * \\ \Gamma C_v & \Gamma D_{vu} & \Gamma D_{vw} & 0 & -\Gamma \end{bmatrix} \leq 0. \quad (45)$$

The next step, following a similar derivation for a cut-off constrained system, with the L_2 induced norm between \underline{z} and \underline{w} used, one gets

$$V(\underline{x}_{t+1}) - V(\underline{x}_t) + \underline{z}^T \underline{z} - \delta \underline{w}^T \underline{w} \leq 0 \quad (46)$$

where in the case of a discrete-time system one can write:

$$\begin{bmatrix} A^Y T P A^Y - P + C_z^Y T C_z^Y & * \\ B_u^{Y T} P A^Y + D_{zu}^Y T C_z^Y & B_u^{Y T} P B_u^Y + D_{zu}^Y T D_{zu}^Y \\ B_w^{Y T} P A^Y + D_{zw}^Y T C_z^Y & B_w^{Y T} P B_u^Y + D_{zw}^Y T D_{zu}^Y \\ * & * \\ * & * \\ B_w^{Y T} P B_w^Y + D_{zw}^Y T D_{zw}^Y - \delta \end{bmatrix} \leq 0. \quad (47)$$

By using the S-procedure again:

$$\begin{bmatrix} A^Y T P A^Y - P + C_z^Y T C_z^Y + C_v^T \Gamma C_v & * \\ B_u^{Y T} P A^Y + D_{zu}^Y T C_z^Y + D_{vu}^T \Gamma C_v & * \\ B_w^{Y T} P A^Y + D_{zw}^Y T C_z^Y + D_{vw}^T \Gamma C_v & * \\ * & * \\ B_u^{Y T} P B_u^Y + D_{zu}^Y T D_{zu}^Y + D_{vu}^T \Gamma D_{vu} - \Gamma & * \\ B_w^{Y T} P B_u^Y + D_{zw}^Y T D_{zu}^Y + D_{vw}^T \Gamma D_{vu} & * \\ * & * \\ * & * \\ B_w^{Y T} P B_w^Y + D_{zw}^Y T D_{zw}^Y - \delta + D_{vw}^T \Gamma D_{vw} \end{bmatrix} \leq 0, \quad (48)$$

what is synonymous with

$$\begin{bmatrix} A^Y T P A^Y - P & * & * & * & * \\ B_u^{Y T} P A^Y & B_u^{Y T} P B_u^Y - \Gamma & * & * & * \\ B_w^{Y T} P A^Y & B_w^{Y T} P B_u^Y & B_w^{Y T} P B_w^Y - \delta & * & * \\ \Gamma C_v & \Gamma D_{vu} & \Gamma D_{vw} & -\Gamma & * \\ C_z^Y & D_{zu}^Y & D_{zw}^Y & 0 & -I \end{bmatrix} \leq 0 \quad (49)$$

or

$$\begin{bmatrix} -P & * & * & * & * & * \\ 0 & -\Gamma & * & * & * & * \\ 0 & 0 & -\delta & * & * & * \\ PA^\gamma & PB_u^\gamma & PB_w^\gamma & -P & * & * \\ \Gamma C_v & \Gamma D_{vu} & \Gamma D_{vw} & 0 & -\Gamma & * \\ C_z^\gamma & D_{zu}^\gamma & D_{zw}^\gamma & 0 & 0 & -I \end{bmatrix} \leq 0. \quad (50)$$

In order to derive the final form of the inequality conditions one needs to define:

$$\begin{aligned} PA^\gamma &= P(A + \gamma B_u C_v) = \\ &= P(\mathcal{A} - \mathcal{B}_\xi X \mathcal{C}_v + \gamma \mathcal{B}_u \mathcal{C}_v - \gamma \mathcal{B}_u \mathcal{D}_{v\xi} X \mathcal{C}_v + \\ &\quad + \gamma \mathcal{B}_\xi X (I - \mathcal{D}_{vu}) \mathcal{C}_v + \\ &\quad - \gamma \mathcal{B}_\xi X (I - \mathcal{D}_{vu}) \mathcal{D}_{v\xi} X \mathcal{C}_v), \end{aligned} \quad (51)$$

$$\begin{aligned} PB_u^\gamma &= P(\gamma B_u D_{vu}) = \\ &= P(\gamma \mathcal{B}_u \mathcal{D}_{vu} + \gamma \mathcal{B}_u \mathcal{D}_{v\xi} X (I - \mathcal{D}_{vu}) + \\ &\quad + \gamma \mathcal{B}_\xi X (I - \mathcal{D}_{vu}) \mathcal{D}_{vu} + \\ &\quad + \gamma \mathcal{B}_\xi X (I - \mathcal{D}_{vu}) \mathcal{D}_{v\xi} X (I - \mathcal{D}_{vu})), \end{aligned} \quad (52)$$

$$\begin{aligned} PB_w^\gamma &= P(\gamma B_u D_{vw} + B_w) = \\ &= P(\mathcal{B}_w - \mathcal{B}_\xi X \mathcal{D}_{vw} + \\ &\quad + \gamma \mathcal{B}_u \mathcal{D}_{vw} - \gamma \mathcal{B}_u \mathcal{D}_{v\xi} X \mathcal{D}_{vw} + \\ &\quad + \gamma \mathcal{B}_\xi X (I - \mathcal{D}_{vu}) \mathcal{D}_{vw} + \\ &\quad - \gamma \mathcal{B}_\xi X (I - \mathcal{D}_{vu}) \mathcal{D}_{v\xi} X \mathcal{D}_{vw}), \end{aligned} \quad (53)$$

and $\Gamma C_v, C_z^\gamma, \Gamma D_{vu}, D_{zu}^\gamma, \Gamma D_{vw}, D_{zw}^\gamma$ defined as in [1].

The optimisation task enabling one to find the optimal compensator feedback gains is

$$\begin{aligned} \min_{\gamma, P, X, \Gamma, \delta} & \quad \delta \\ \text{s.t.} & \quad (50) \\ & \quad \gamma > 0, P > 0, \Gamma > 0, \delta > 0 \end{aligned} \quad (54)$$

and it is solved as a sequence of optimization tasks for a fixed value of γ related to how severe the DP constraints are and P, X, Γ, δ as decision variables in

$$\begin{aligned} \min_{P, X, \Gamma, \delta} & \quad \delta \\ \text{s.t.} & \quad (50) \\ & \quad P > 0, \Gamma > 0, \delta > 0 \end{aligned} \quad (55)$$

which has BMI constraints only. The optimal solution corresponds to the minimal value of δ achieved. It can be easily presented as a series of solutions, δ vs. γ to understand the interplay. Strict inequalities in the optimization problems result mainly from the fact the interior-point methods are used to obtain solutions, and with reference to properties of selected matrices.

5. Simulation results

The simulation for the two-input two-output plant has been conducted, with:

$$A_{\mathcal{P}} = \begin{bmatrix} 0.9048 & 0 \\ 0 & 0.9048 \end{bmatrix}, \quad (56)$$

$$B_{\mathcal{P}} = \begin{bmatrix} 9.516 & 0 \\ 0 & 9.516 \end{bmatrix}, \quad (57)$$

$$C_{\mathcal{P}} = \begin{bmatrix} 0.4 & -0.5 \\ -0.3 & 0.4 \end{bmatrix}, \quad (58)$$

$$D_{\mathcal{P}} = \begin{bmatrix} 0 & 0 \\ 0 & 0 \end{bmatrix} \quad (59)$$

and the controller with $n_c = 1$ given by:

$$A_c = 1, \quad (60)$$

$$B_c = [7.0710, 7.0710], \quad (61)$$

$$C_c = [0.0318, 0.0247]^T, \quad (62)$$

$$D_c = \begin{bmatrix} 2.0 & 2.5 \\ 1.5 & 2.0 \end{bmatrix} \quad (63)$$

It is assumed that for $t = 0$ in accordance with [1] a step change in reference vector takes place between $\underline{w} = \underline{0}$ and $\underline{w} = [0.63, 0.79]^T$, and the control vector is saturated at the level ± 1 , see Fig. 4 to observe tracking properties.

6. Summary

The paper presented an optimization-based compensator design method to ensure superior performance of a control system. The proposed method can form a lookup table of various compensators for different values of γ to swiftly change the controller feedback gains for various constraint violation conditions in dynamic states. That would open the door to another interesting research on the topic, based on switched-system formulation, or linear-piecewise description, and will be topic of the further research.

REFERENCES

- [1] Horla D., *Static anti-windup compensator based on BMI optimisation for discrete-time systems with cut-off constraints*, Bulletin of the Polish Academy of Sciences Technical Sciences, Vol. 69(1), 2021, pp. e135837, DOI: 10.24425/bpasts.2021.135837.
- [2] Johnson A., Brown R., *Static Anti-Windup Compensator Design for Locally Lipschitz Nonlinear Systems*, Automatica, Vol. 78, 2024, pp. 567–580.
- [3] Hussain M., Rehan M., Ahn C.K. et al, *Static anti-windup compensator design for nonlinear time-delay systems subjected to input saturation*, Nonlinear Dynamics, Vol. 95, 2019, pp. 1879–1901.
- [4] Garcia M., Adams L., *Static Anti-Windup Compensation for Systems with Time-Delay and Actuator Saturation*, Systems & Control Letters, Vol. 89, 2024, pp. 123–136.

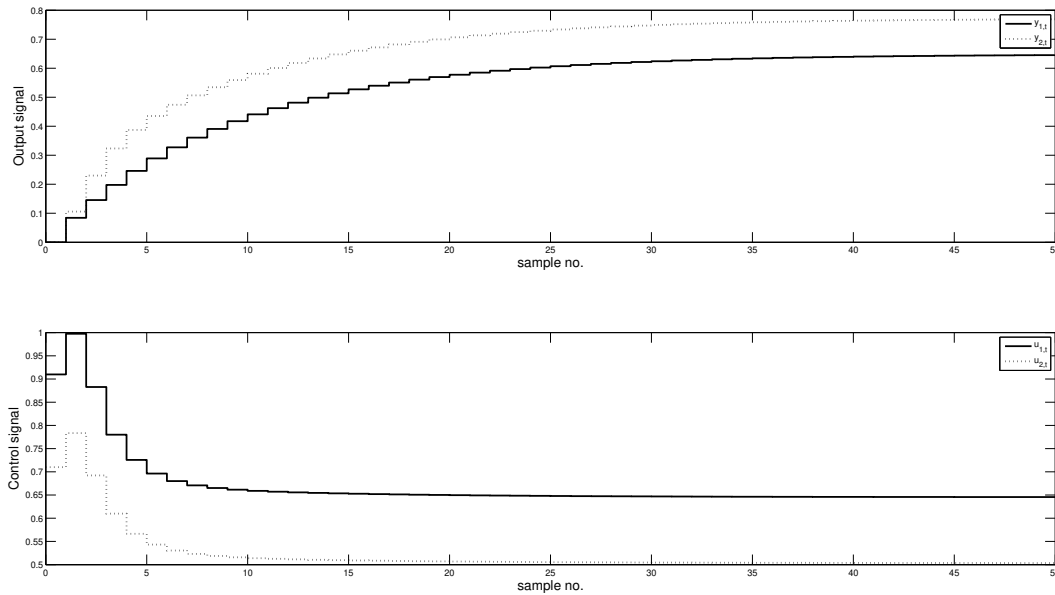


Fig. 4. Tracking performance and constrained control vector

- [5] Nava-Segura A.E., Linares-Flores J., Mino-Aguilar G., Vector active filter without current hysteresis controllers, Proceedings of the 2000 IEEE International Symposium on Industrial Electronics, Cholula, Puebla, Mexico, 2000, pp. 84–89, DOI: 10.1109/ISIE.2000.930491.
- [6] Valasek J., Akella M.R., Siddarth A., Rollins E., Adaptive Dynamic Inversion Control of Linear Plants With Control Position Constraints, IEEE Transactions on Control Systems Technology, Vol. 20(4), 2012, pp. 918–933, DOI: 10.1109/TCST.2011.2159976.
- [7] Zahraoui Y., Akherraz M., Fahassa C., Elbadaoui S., Induction motor harmonic reduction using space vector modulation algorithm, Bulletin of Electrical Engineering and Informatics, Vol. 9(2), 2020, pp. 425–465, DOI: 10.11591/EEI.V9I2.1682.
- [8] Dworak P., Squaring down plant model and I/O grouping strategies for a dynamic decoupling of left-invertible MIMO plants, Bulletin of the Polish Academy of Sciences. Technical Sciences, Vol. 62(3), pp. 471–479, 2014, DOI: 10.2478/bpasts-2014-0050.
- [9] Mahapatro S.R., Subudhi B., Ghosh S., Dworak P., A comparative study of two decoupling control strategies for a coupled tank system, Proceedings of the IEEE Region 10 Annual International Conference, TENCN, Singapore, 2016, pp. 3447–3451
- [10] Dworak P., About dynamic decoupling of a nonlinear MIMO dynamic plant, 19th International Conference on Methods and Models in Automation and Robotics, 2014, pp. 106–112, 10.1109/MMAR.2014.6957333.
- [11] Goyal J.K., Aggarwal S., Ghosh S., Dworak P., L-2-based static output feedback controller design for a class of polytopic systems with actuator saturation, International Journal of Control, Vol. 95(8), 2022, pp. 2151–2163, DOI: 10.1080/00207179.2021.1900605.
- [12] Skogestad S., Postlethwaite I., Multivariable Feedback Control. Analysis and Design, 2nd ed., Wiley-Blackwell, Chichester, 2005.
- [13] Amato F., Robust Control of Linear Systems Subject to Uncertain Time-Varying Parameters, Lecture Notes in Control and Information Sciences, Springer, Berlin–Heidelberg, 2006.
- [14] Horla D., Interplay of Directional Change in Controls and Windup Phenomena – Analysis and Synthesis of Compensators, D. Sc. Monograph, no. 471, Poznan University of Technology, Poznan 2012.
- [15] Horla D., On directional change and anti-windup compensation in multivariable control systems, International Journal of Applied Mathematics and Computer Science, 2009, Vol. 19(2), pp. 281–289, DOI: 10.2478/v10006-009-0024-4.
- [16] Wu F., Soto M., Extended Anti-windup Control Schemes for LTI and LFT Systems with Actuator Saturations, International Journal of Robust and Nonlinear Control, Vol. 14(15), 2004, pp. 1255–1281.
- [17] Mulder E.F., Kothare M.V., Zaccarian L., Teel A.R., Multi-variable Anti-windup Controller Synthesis using Bilinear Matrix Inequalities, European Journal of Control, Vol. 6(5), 2000, pp. 455–464.
- [18] Campo P.J., Morari M., Robust Control of Processes Subject to Saturation Nonlinearities, Computers & Chemical Engineering, Vol. 14(4-5), 1990, pp. 343–358.
- [19] Henrion D., Löfberg J., Kocvara M., Stingl M., Solving Polynomial Static Output Feedback Problems with PENBMI, technical report LAAS-CNRS 05165, 2005.
- [20] Löfberg J., YALMIP: A Toolbox for Modeling and Optimization in MATLAB, in: Proceedings of the CACSD Conference, Taipei, 2004.
- [21] Kocvara M., Stingl M., PENNON – A Code for Convex Nonlinear and Semidefinite Programming, Optimization Methods and Software, Vol. 18(3), 2003, pp. 317–333.
- [22] —, Tomlab Optimization, <http://tomopt.com/tomlab/> (access 01.04.2024).

Acknowledgements. This work has been funded by Poznan University of Technology under project 0214/SBAD/0247.